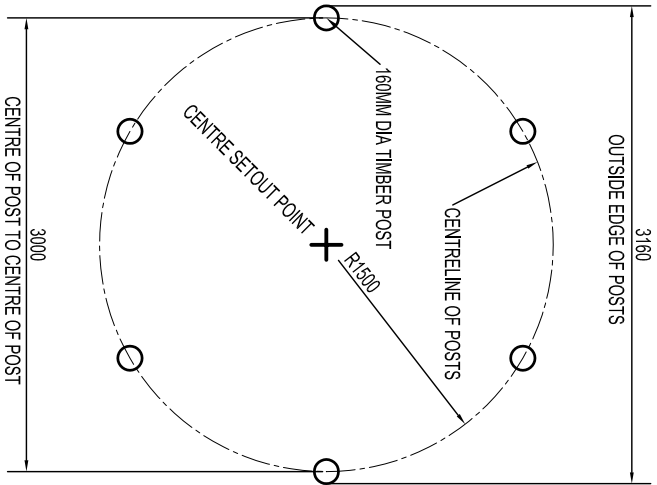
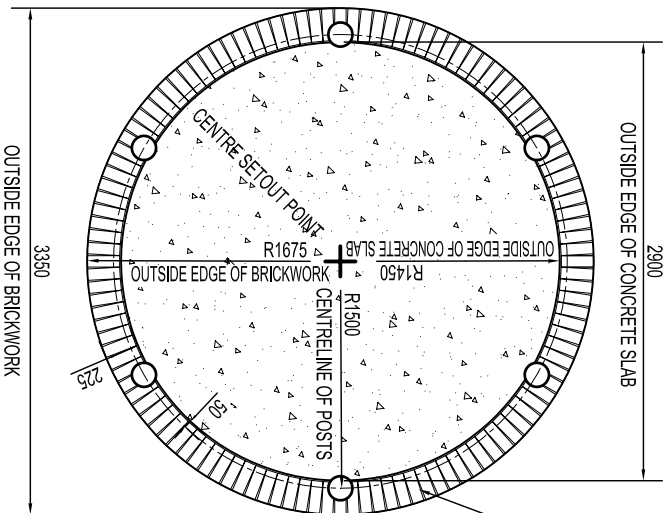


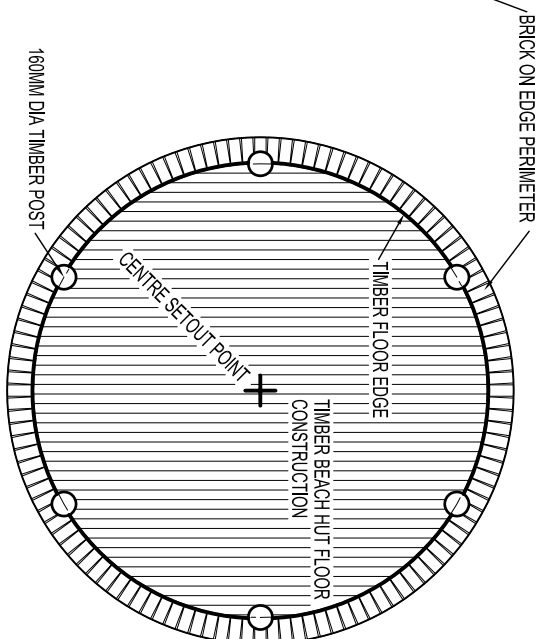
# MIAMI ONLY



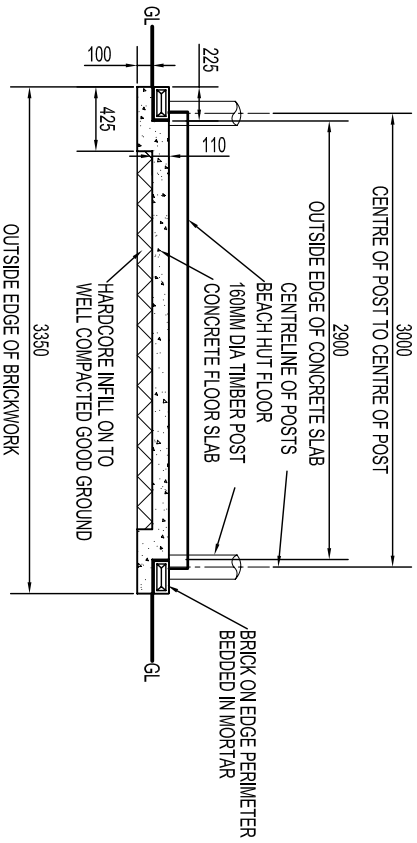
PLAN POST SETOUT



PLAN BASE SETOUT



PLAN BEACH HUT : MIAMI  
IN POSITION ON BASE



SECTION THRU BASE

## NOTES:

BRICKWORK:  
BRICKWORK NOMINAL SIZE 215X65X102MM, TYPE & COLOUR TO CLIENTS REQUIREMENTS  
BRICKWORK BEDDED IN CEMENT/SAND MORTAR MIX WITH 10MM JOINTS, JOINT FINISH  
TO CLIENTS PREFERENCE.

CONCRETE SLAB:  
CONCRETE TYPE C20 (20NMM<sup>2</sup> STRENGTH) BASE TO BE LAID FLAT & LEVEL, CONCRETE  
CONCRETE SLAB TO BE LAID ON WELL COMPACTED GOOD GROUND, IF POOR GROUND IS  
ENCOUNTERED A WELL COMPACTED HARD CORE SUB-BASE MIN 100MM MAY BE REQUIRED.

## SETTING OUT:

THIS INFORMATION IS GIVEN IN GOOD FAITH, ANY ERRORS TO BE REPORTED TO BEACH  
HUT LEISURE IMMEDIATELY; DO NOT SCALE FROM THIS DRAWING.  
THE PREPARATION OF THE BASE IS THE CLIENTS RESPONSIBILITY.  
IF THE BASE IS NOT FLAT/LEVEL & INSTALLED TO THE CORRECT DIMENSIONS WE WILL  
NOT BE ABLE TO INSTALL THE BUILDING, COSTS WILL BE CHARGED TO THE CLIENT FOR  
VISITS TO SITE WHERE THE BUILDING CAN NOT BE INSTALLED BECAUSE OF INCORRECTLY  
BUILT BASES & WHERE A CLEAR SAFE ACCESS PATH TO INSTALL THE BUILDING HAS NOT BEEN  
PROVIDED, THE BUILDING WARRANTY WILL BE VOID & NULL IF THE BASE FAILS IE SUBSIDENCE,  
UNEVEN SETTLEMENT ETC.

## BASE CONSTRUCTION MIAMI BEACH HUT

BEACH HUT LEISURE LIMITED, STRAFFORD INDUSTRIAL PARK, GILROYD LANE, DODD WORTH, BARNESLEY, S75 3EJ  
TEL : 01226 321600 FAX : 012263321700 EMAIL : info@beachhutleisure.co.uk ; www.beachhutleisure.co.uk



DATE: 02-07  
SCALE: 1:50@A4  
REF: MBH01